

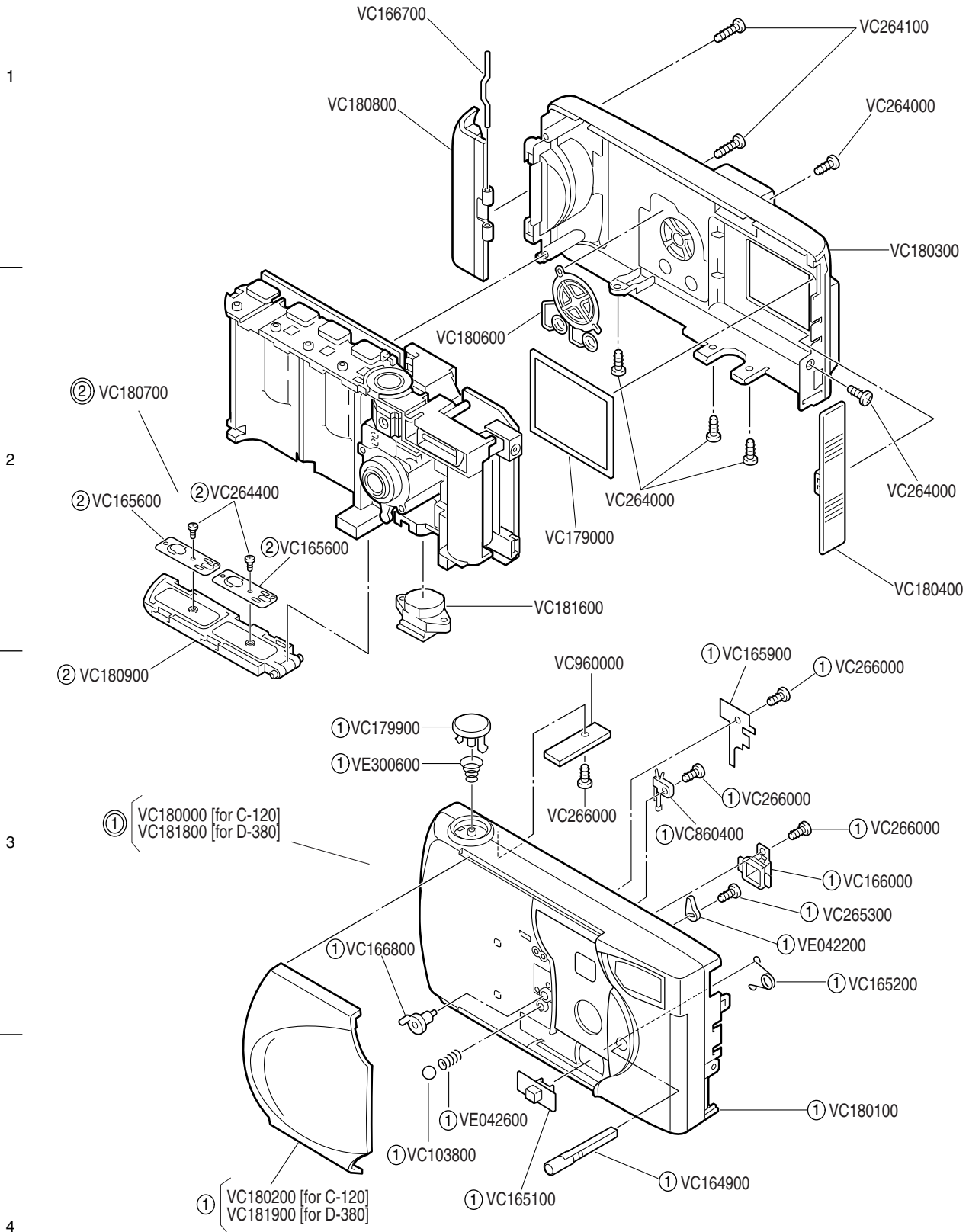
A

B

C

D

Cabinet 1



EXPLODED PARTS DIAGRAM

MODEL	FIG.
C-120/D-380	1/2
OLYMPUS OPTICAL CO., LTD. TOKYO, JAPAN	

Ver.1
2002.03

A

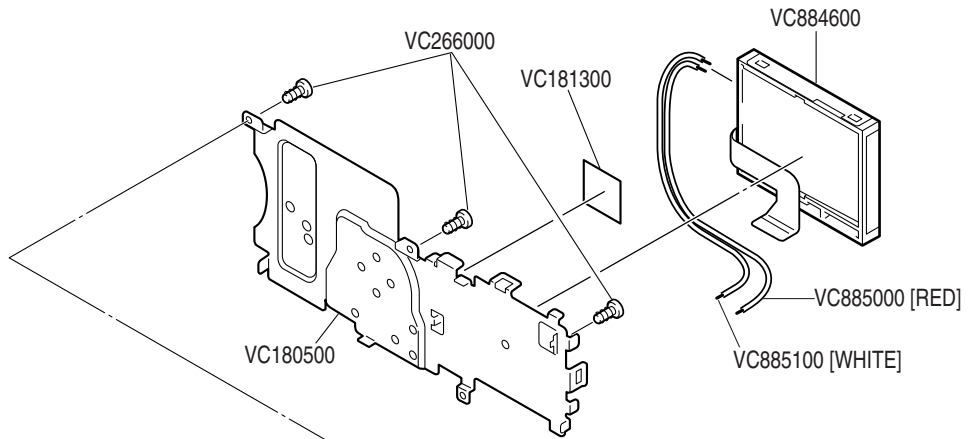
B

C

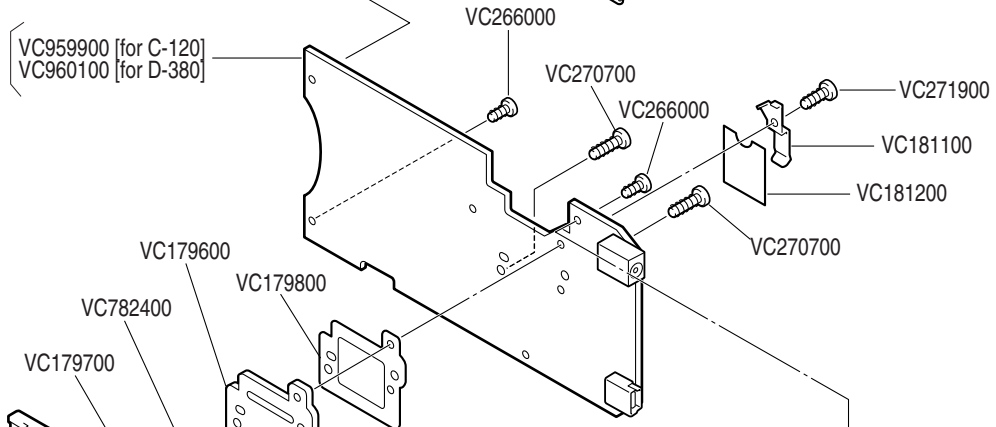
D

Cabinet 2

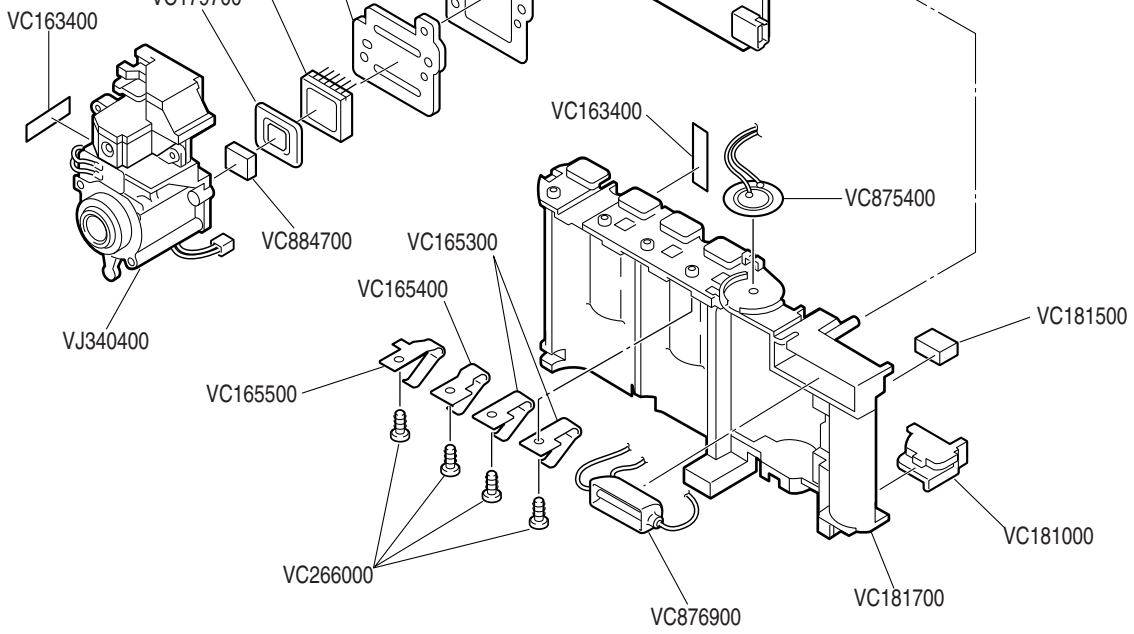
1



2



3



4

EXPLODED PARTS DIAGRAM

MODEL	FIG.
C-120 / D-380	2/2
OLYMPUS OPTICAL CO.,LTD.TOKYO,JAPAN	

Ver.1
2002.03

PARTS LIST

C-120/D-380

REF NO	PARTS NO	DESCRIPTION	REMARKS	NOTE
	VC103800	BALL,CLICK	1-B4	
	VC163400	SPACER WIRE ST	2-A3	
	VC164900	DEC SELF	1-C4	NEW
	VC165100	KNOB MACRO	1-C4	
	VC165200	SPRING MACRO	1-D3	
	VC165300	TERMINAL BAT A	2-B3	
	VC165400	TERMINAL BAT B	2-B3	
	VC165500	TERMINAL BAT C	2-B3	
	VC165600	TERMINAL BAT D	1-B2	
	VC165900	COV BARRIER SW	1-C3	
	VC166000	COVER VF	1-D3	
	VC166700	SHAFT DOOR	1-B1	
	VC166800	LEVER PROTECT	1-B3	
	VC179000	SPACER MONITOR	1-C2	
	VC179600	MOUNTING,LENS	2-B2	NEW
	VC179700	SPACER	2-A3	NEW
	VC179800	SPACER INSULATOR	2-B2	NEW
	VC179900	ASSY,BUTTON SHUTTER	1-B3	NEW
	VC180000	COMPL,CABI FRON[C-120]	1-A3	NEW
	VC180100	ASSY,CABI FRONT	1-D4	NEW
	VC180200	ASSY,COVER LENS[C-120]	1-B4	NEW
	VC180300	CABINET BACK	1-D1	NEW
	VC180400	COVER JACK	1-D2	NEW
	VC180500	HOLDER MONITOR	2-B2	NEW
	VC180600	BUTTON SELECT	1-B2	NEW
	VC180700	COMPL,COVER BATT	1-A2	NEW
	VC180800	COVER CARD	1-B1	NEW
	VC180900	COVER BATTERY	1-A3	NEW
	VC181000	HOLDER USB	2-D4	NEW
	VC181100	EARTH TERMINAL CP1	2-D2	NEW
	VC181200	SPACER SHEET CP1	2-D2	NEW
	VC181300	SPACER LCD	2-C1	NEW
	VC181500	SPACER DC	2-D3	NEW
	VC181600	STAND	1-C2	NEW
	VC181700	HOLDER CHASSIS	2-C4	NEW
	VC181800	COMPL,CABI FRONT[D-380]	1-A3	NEW
	VC181900	ASSY,COVER LENS[D-380]	1-B4	NEW
	VC264000	SCR S-TPG PAN PCS 1.7X4.5	1-D1	
	VC264100	SCR S-TPG PAN PCS 1.7X6	1-D1	
	VC264400	SCR S-TPG PAN PCS 1.7X2.5	1-A2	
	VC265300	SCR S-TPG PAN PCS 1.7X4	1-D3	
	VC266000	SCR S-TPG PAN PCS 1.7X3.5	1-C3	
	VC270700	SCR S-TPG PAN PCS 1.7X6E	2-C2	
	VC271900	SCR PAN PCS 1.7X4	2-D2	NEW
	VC782400	IC ICX434AKA-C	2-B2	NEW
	VC860400	SWITCH,LEAF 1P-1T	1-C3	

PARTS LIST

C-120/D-380

REF NO	PARTS NO	DESCRIPTION	REMARKS	NOTE
	VC875400	PIEZO BUZZER PS1550L40N	2-C3	
	VC876900	COMPL,REFLECTOR	2-C4	
	VC884600	LCD	2-D1	NEW
	VC884700	OPTICAL FILTER	2-B3	NEW
	VC885000	ASSY WIRE LCD_H(CP1&LCD)[RED]	2-D2	NEW
	VC885100	ASSY WIRE LCD_H(CP1&LCD)[WHITE]	2-D2	NEW
	VC959900	COMPL PWB,CP-1[C-120]	2-A2	NEW
	VC960000	COMPL PWB,TB-1	1-C3	NEW
	VC960100	COMPL PWB,CP-1[D-380]	2-A2	NEW
	VE042200	ARM PROTECT	1-D3	
	VE042600	SPRING COMP COVER	1-B4	
	VE300600	SPRING SHUTTER	1-B3	
	VJ340400	LENS(ASSY)	2-A3	NEW
CN110	VC884800	SOCKET,USB 5PTO USB	CP-1	NEW
CN141	VC858800	SOCKET,CARD 22PTO SMART MEDIA	CP-1	
IC101	VC780800	IC MB86838PBT2-GCPU 0.65CSP	CP-1	
IC102	VC782600	IC KS6M1U1580CBPASIC 0.65CSP	CP-1	NEW
IC103	VC775000	IC TC59S6432CFT-80SDRAM	CP-1	
IC103	VC782200	IC HY57V653220BTC-10SDRAM	CP-1	NEW
IC111	VC777800	IC BU2382FVCLOCK-GENERATOR	CP-1	
IC121	VC782500	IC 60801571APROGRAM FLASH [C-120]	CP-1	NEW
IC121	VC782800	IC 60801571APROGRAM FLASH [D-380]	CP-1	NEW
IC171	VC782300	IC CM7100L1LCD DRIVER	CP-1	NEW
IC172	VC780300	IC TK11130CSREGULATOR	CP-1	
IC301	VC782700	IC UPD780022AGB-G04-8EUMICRO PROCESSOR	CP-1	NEW
IC302	VC782100	IC NJU7285CV-TE1 BATTERY BACKUP	CP-1	NEW
IC501	VC782000	IC FA7708R	CP-1	NEW
IC904	VC740100	IC CXD3400N(V.DRIVER)	CP-1	
IC905	VC779200	IC AD9848KST	CP-1	
IC909	VC780300	IC TK11130CSREGULATOR	CP-1	
IC951	VC775900	IC LB1931T-ASHUTTER DRIVER	CP-1	
JK501	VC884000	SOCKET,DCDC JACK	CP-1	
PR501	VC865900	FUSE 32V 1A	CP-1	
PR502	VC865800	FUSE 32V 2A	CP-1	
PR503	VC865900	FUSE 32V 1A	CP-1	
PR504	VC865800	FUSE 32V 2A	CP-1	
Q1301	VC625400	TR UMH2N	CP-1	
Q1304	VC619500	TR DTC144EE	CP-1	
Q1304	VC627200	TR UN9213J	CP-1	NEW
Q1305	VC620000	TR UMD3N	CP-1	
Q1305	VC627400	TR XP4311	CP-1	NEW
Q1501	VC621400	TR 2SA1774 R	CP-1	
Q1601	VC618700	TR DTC114EE	CP-1	
Q1601	VC627100	TR UN9211J	CP-1	NEW
Q1602	VC609400	TR 2SA1745-7	CP-1	
Q1602	VC609500	TR 2SA1745-6	CP-1	

PARTS LIST

C-120/D-380

REF NO	PARTS NO	DESCRIPTION	REMARKS	NOTE
Q1702	VC619500	TR DTC144EE	CP-1	
Q1702	VC627200	TR UN9213J	CP-1	NEW
Q3001	VC607900	TR 2SD1819A-R	CP-1	
Q3001	VC603200	TR 2SC4081-R	CP-1	
Q3003	VC620900	TR DTA114EE	CP-1	
Q3003	VC627300	TR UN9111J	CP-1	NEW
Q3004	VC625800	TR DTC115EE	CP-1	
Q3005	VC625700	TR DTC123EE	CP-1	
Q5001	VC618600	TR 2SC4617 R	CP-1	
Q5002	VC625900	TR 3LN01S-TL	CP-1	
Q5003	VC627500	TR UPA1915TE	CP-1	NEW
Q5005	VC627600	TR CPH5809	CP-1	NEW
Q5006	VC626700	TR EMD2	CP-1	
Q5007	VC626600	TR EMH11	CP-1	
Q5009	VC619200	TR CPH3205	CP-1	
Q5011	VC619200	TR CPH3205	CP-1	
Q5012	VC618400	TR 2SA1576A-R	CP-1	
Q5013	VC618700	TR DTC114EE	CP-1	
Q5013	VC627100	TR UN9211J	CP-1	NEW
Q5014	VC626100	TR CPH3313	CP-1	
Q5015	VC626100	TR CPH3313	CP-1	
Q5022	VC621400	TR 2SA1774 R	CP-1	
Q5023	VC625900	TR 3LN01S-TL	CP-1	
Q5026	VC621400	TR 2SA1774 R	CP-1	
Q5027	VC618600	TR 2SC4617 R	CP-1	
Q5032	VC622000	TR 2SA2018	CP-1	
Q5041	VC618900	TR DTA114YE	CP-1	
Q5044	VC618600	TR 2SC4617 R	CP-1	
Q5401	VC618800	TR DTC123JE	CP-1	
Q5402	VC618700	TR DTC114EE	CP-1	
Q5402	VC627100	TR UN9211J	CP-1	NEW
Q5405	VC619200	TR CPH3205	CP-1	
Q5406	VC619300	TR CPH3109	CP-1	
Q5407	VC618600	TR 2SC4617 R	CP-1	
Q5409	VC622100	TR CY25AAJ-8	CP-1	
Q9002	VC620700	TR 2SC3931-D	CP-1	
Q9003	VC607900	TR 2SD1819A-R	CP-1	
Q9003	VC603200	TR 2SC4081-R	CP-1	
Q9005	VC607900	TR 2SD1819A-R	CP-1	
Q9005	VC603200	TR 2SC4081-R	CP-1	
Q9501	VC617500	TR DTC114EUA	CP-1	
Q9501	VC621700	TR UN5211	CP-1	
Q9501	VC617100	TR 2SC4398	CP-1	
S3001	VC863300	SWITCH,PUSH 1P-1TX1	CP-1	
S3002	VC876500	SWITCH,PUSH	CP-1	
S3003	VC876500	SWITCH,PUSH	CP-1	

PARTS LIST

C-120/D-380

REF NO	PARTS NO	DESCRIPTION	REMARKS	NOTE
S3004	VC876500	SWITCH,PUSH	CP-1	
S3005	VC876500	SWITCH,PUSH	CP-1	
S3006	VC876500	SWITCH,PUSH	CP-1	
S3007	VC876500	SWITCH,PUSH	CP-1	
S3501	VC877400	SWITCH,PUSH 1P-2TX1	TB-1	
T5001	VC884500	TRANS,POWER,PULSE	CP-1	NEW
T5002	VC884400	TRANS,POWER,PULSE	CP-1	NEW
T5401	VC877200	TRANS,STEP UP	CP-1	
T5402	VC861700	TRANS,STEP UP	CP-1	
X1101	VC857600	OSC,CRYSTAL 14.31818MHZ	CP-1	
X1101	VC864500	OSC,CRYSTAL 14.31818MHZ	CP-1	
X3001	VC876800	OSC,CERAMIC 4.00MHZ	CP-1	
X3002	VC884900	OSC,CRYSTAL 32.768KHZ	CP-1	NEW
	VC181400	SHILED TAPE CA3 CA-A	CP-1	NEW
	VC167000	SPACER SHEET	CP-1	
	VE3989	SERIAL NUMBER SEAL FOR JAPAN		
	VE3990	SERIAL NUMBER SEAL FOR OAI		
	VE3991	SERIAL NUMBER SEAL FOR OE / OTHERS		